



CSE Plug Valve

Concept 概念：

A plug valve is a cylindrical or conical "plug" that can be rotated inside the valve body through the valve to control the flow. The plug in the plug valve has one or more hollow passages that pass through the plug from the side of the plug so that when the valve is opened, fluid can flow through the plug. The plug valve is simple and usually very economical.

考克是閥有能夠在閥本體內部通過所述閥被旋轉以控制流圓柱形或圓錐形“塞”。考克中的塞子具有一個或多個中空通道，從塞子的側面穿過塞子，這樣當閥門打開時，流體可以流過塞子。考克簡單而且通常很經濟。

Working principle 工作準則：

When the plug is tapered, the rod/handle is usually connected to the larger diameter end of the plug. A plug valve usually does not have a bonnet, but usually has a plug end with the handle exposed or mostly exposed. In this case, there are usually not many stems. The valve stem and the handle are usually integrated, usually a simple, approximately L-shaped handle connected to the end of the plug. The other end of the plug is often exposed to the outside of the valve, but there is a mechanism to fix the plug in the valve body.

當塞子為錐形時，桿/手柄通常連接到塞子的較大直徑端。考克通常沒有閥帽，但通常有閥塞末端，把手暴露在外或大部分暴露在外面。在這種情況下，通常沒有太多的詞幹。閥桿和手柄通常是一體的，通常是一個簡單的、近似 L 形的手柄連接到插頭的末端。塞子的另一端也經常暴露在閥門的外面，但有一個機制可以將塞子固定在閥體內。

Standard design 標準設計：

The simplest and most common general type of plug valve is a two-way valve with two positions: open to allow flow, and closed (closed) to stop flow. A port is an opening in the valve body through which fluid can enter or leave. The plug in this valve has a passage through it. The ports are usually located at both ends of the main body; therefore, the stopper rotates a quarter turn to change from the open position to the closed position. This makes this plug valve a quarter-turn valve. There is usually a mechanism that limits the movement of the handle to a quarter turn, but there is no such thing as a glass cock.

The plug valve may also have more than two ports. In a three-way stopcock, the flow from one port can be directed to the second or third port. The three-way stopcock can also be designed to divert flow between ports, possibly even connecting all three ports together. The possibility of diversion of the multi-port plug valve is similar to that of the corresponding multi-port ball valve or the corresponding multi-port valve with rotor. Another possibility of the plug valve is that there is one port on one side of the plug valve and two ports on the other side, and there are two diagonally parallel fluid passages inside the plug. In this case, the plug can be rotated 180° to connect the port on one side to either of the two ports on the other side.

最簡單和最常見的一般類型的考克是具有兩個位置的二通閥：打開以允許流動，關閉（關閉）以停止流動。端口是閥體內的開口，流體可以通過該開口進入或離開。這種閥門中的塞子有一個通道穿過它。端口通常位於主體的兩端；因此，塞子旋轉四分之一圈以從打開位置變為關閉位置。這使得這種考克成為角行程閥。通常有一種機制將手柄的運動限制為四分之一圈，但在玻璃旋塞中沒有。

考克也可能有兩個以上的端口。在三通考克中，來自一個端口的流量可以被引導到第二個或第三個端口。三通考克也可以設計成在端口之間轉移流量，甚至可能將所有三個端口連接在一起。多端口考克的導流可能性類似於相應的多

端口球閥或相應的帶轉子的多端口閥的可能性。考克的另一種可能性是在考克的一側有一個端口，在另一側有兩個端口，在旋塞內部有兩條對角平行的流體通路。在這種情況下，插頭可以旋轉 180° 以將一側的端口連接到另一側的兩個端口中的任何一個。

Parts list			
NO.	Parts name	Q'TY	Material
1	Body	1	ST.ST 304 , 316L
2	SCREW	1	ST.ST 304 , 316L
3	O-Ring	1	EPDM
4	O-Ring	1	EPDM
5	Cap	1	ST.ST 304 , 316L
6	Gasket	1	PTFE

Notice when Usage

Plug Cock Valve is designed with special taper . for Aseptic ,not died angle design .and easy assembly , clean and maintain. Good for Milk and dairy industry use. Slight Lubricate on the Plug slant surface between the Plug and Body for protect damage..... so, before use must be clean its.

Specification :

Size: 1"-3"

Material: plug and Body- 304 and 316L . Handle always as SS304 .

Finish: OD Mirror polish/ID Grind-PTFE/Nickle coating. Ra< /= 0.8µm.

Type:2 way and 3way are available

Connection :

DIN , SMS , ISO , Bevel Seat , RJT , IDF..... Weld/Male and Clamp End . other connections available.

Plug: SS304 or SS316L with Grind after PTFE-Nickle coating.

Maintain or Change spare parts :

Our plug valve as Top thread Cap design.

1, Screw off /On the Cap nut for open/close. If difference Can use rubber hammer for easy open. and slight hammer for separate the plug from the body.

2, Be sure to stop the production line first to prevent liquid flowing out for avoid damage .

3, After repairs and assembly. Try turn few circle formake sure correct assembly.

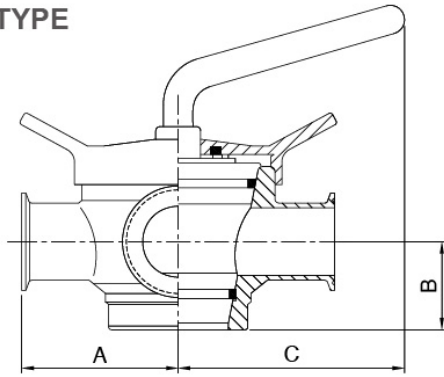
Function :

CSE Plug Valve is Handle-design. AIR Actuator is not available.

Advantage :

CSE Plug Valve plunger and body as Grind after special PTFE/Nickle coating for better Wearable ,corrosion and hygienic design.

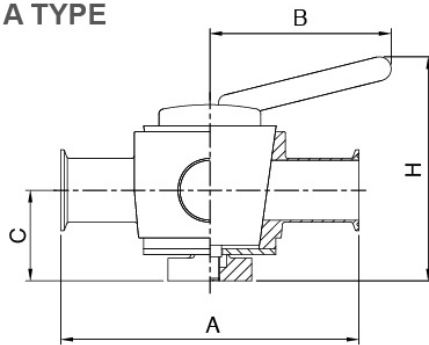
E TYPE



2WAY & 3WAY-PLUG VALVE for Weld/- Male/Female/Clamp

SIZE (Tube O.D)	Weld A	Male A	Clamp A	B	C
DN25 - 1"	66.3	95.3	94.9	26	139.19
DN40 - 1.5"	85.1	118.1	113.7	35	139.19
DN50 - 2"	114.2	149.2	142.8	45	143.01
DN65 - 2.5"	132.0	172.0	160.6	55	143.69
DN80 - 3"	168.6	213.6	197.2	70	143.81
DN100 - 4"	206.3	260.3	234.9	75	174.21

A TYPE



2WAY & 3WAY-PLUG VALVE for Weld/- Male/Female/Clamp

SIZE (Tube O.D)	Weld A	Clamp A	B	C	H
1"	184.2	115.9	117.0	58.3	128.4
1.5"	198.4	147.6	142.7	61.0	164.4
2"	223.8	173.0	144.2	72.4	178.0
2.5"	260.4	209.6	150.6	86.2	223.4
3"	290.5	239.7	180.7	90.6	241.4

operation instruction 注意事項：

Plug is designed with special taper carefully calculated to reduce wedding & galling.

Lubricate the stant surface between the plug and body before the surface is worn off.

Our plug valve is butto-off. The procedure to open it is:

1. Screw off the nut on the bottom and knock it slightly to separate the plug from the body.
2. The rotate the handle to open.
3. Be sure to stop the production line first to prevent liquid flowing out from hurting people.

插頭採用精心計算的特殊錐度設計，以減少婚禮和磨損。

在表面磨損之前潤滑塞子和閥體之間的固定表面。

我們的旋塞閥是關閉的。打開它的程序是：

1. 擰下底部的螺母，輕輕敲擊，使塞子與閥體分離。
2. 旋轉手柄打開。
- 3、一定要先停產線，防止液體流出傷人。